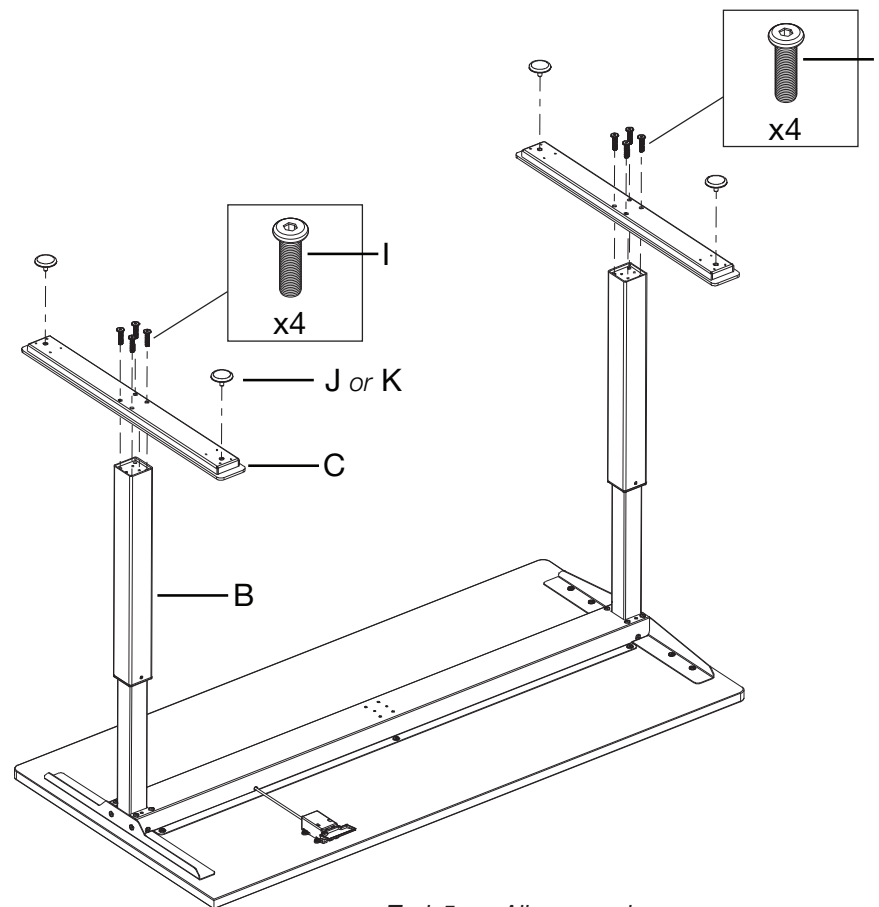


# ASCEND PNEUMATIC HEIGHT ADJUSTABLE TABLE / DESK

## ASSEMBLY INSTRUCTIONS

### STEP 4



Tool: 5mm Allen wrench (not provided)

**NOTE:** Depending on application and/or preference, install either Levelers (J) or Casters (K) to Feet (C).

# ASCEND PNEUMATIC HEIGHT ADJUSTABLE TABLE / DESK

## OPERATING INSTRUCTIONS

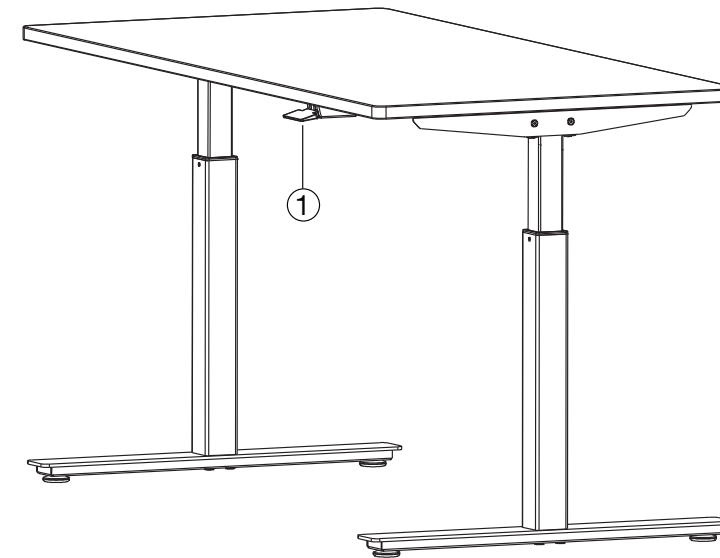
### COMPONENTS:

36"x72" Table/Desk = ART3672 Top + APB3672 Base  
 30"x60" Table/Desk = ART3060 Top + APB3060 Base  
 24"x60" Table/Desk = ART2460 Top + APB2460 Base  
 24"x48" Table/Desk = ART2448 Top + APB2448 Base

### FEATURE

#### • PNEUMATIC HEIGHT ADJUSTMENT

To raise table, lift lever (1) up, release lever (1) once desired height is reached. To lower table, apply pressure to table top, lift lever (1), release lever (1) once desired height is reached.



### WARNING

1. Use this product for its intended purpose.
2. Active weight capacity 50 lbs. When raising/lowering top, the maximum weight of Top plus all items resting on the Top must total 50 lbs. or less.
3. Stationary weight capacity 250 lbs. When top is in a resting position, the maximum weight of Top plus all items resting on the Top must total 250 lbs. or less.
4. Do not sit or stand on this product.
5. Do not use unless all fasteners are secured. At least every six months, check all connections to ensure they are tight.
6. Do not modify this product in any way.
7. If any parts are missing, broken, damaged or worn, stop use of the product until repairs are made using factory authorized parts.
8. Dispose of packing material properly.
9. Failure to follow these warnings could result in serious injury.

### LIMITED WARRANTY

OSP Furniture is warranted from the original purchase date to the original purchaser for normal commercial usage - defined as a standard forty-hour work week - according to the below-listed schedule and limitations.

- Laminate Tops = 5 year warranty
- Pneumatic Adjustable Height Base = 3 year warranty
- Warranted against failure due to materials and workmanship

### Warranty Exclusions

This warranty will not cover labor, freight, or damage from misuse, abuse, negligence, alteration, assembly, installation, attachments, accident, vandalism, acts of nature or any other event beyond our control. The warranty does not cover cosmetic damage that may result from normal use. Liability for incidental or consequential damage is excluded. The user assumes all risk of injury resulting from use of this product.

This warranty applies only to products purchased through authorized dealers and products sold within the United States of America and the Commonwealth of Canada. This warranty does not apply to products used for rental purposes. This warranty gives you specific legal rights, and you may also have other rights which vary from state to state.

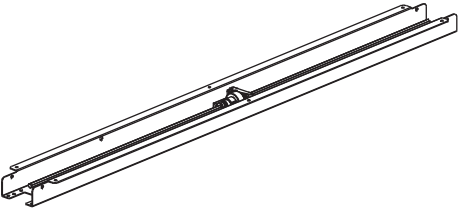

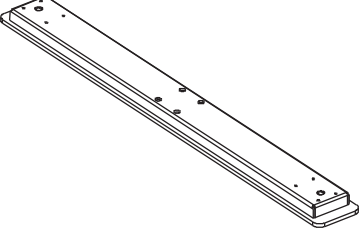
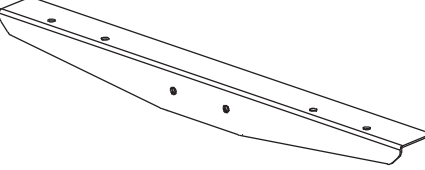
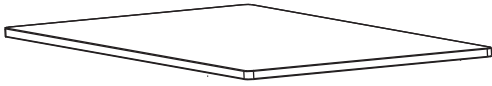
# ASCEND PNEUMATIC HEIGHT ADJUSTABLE TABLE / DESK


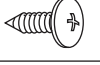
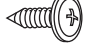
## ASSEMBLY INSTRUCTIONS

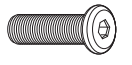


# ASCEND PNEUMATIC HEIGHT ADJUSTABLE TABLE / DESK

## ASSEMBLY INSTRUCTIONS

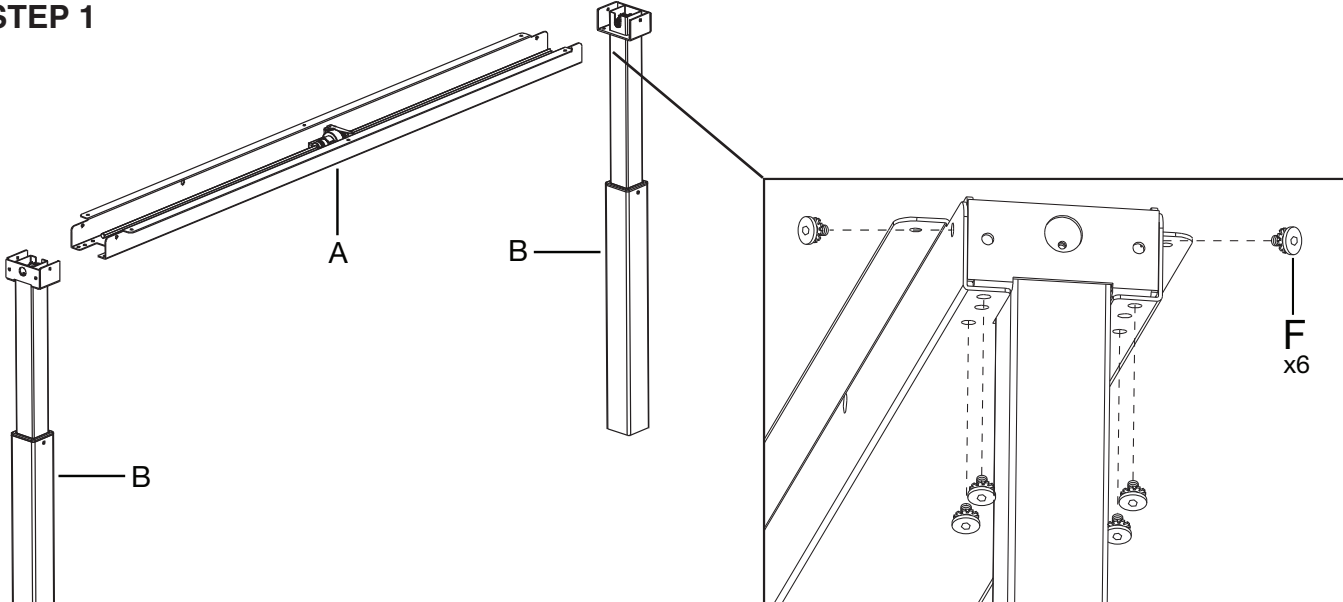
Table Consists of:

<b>A - Channel (1 pc)</b>	<b>B - Leg (2 pcs)</b>
	
<b>C - Feet (2 pcs)</b>	<b>D - Side Frame (2 pcs)</b>
	
<b>E - Top (1 pc)</b>	
	

No.	Drawing	Description	Qty.
F		Bolt	16 pcs
G		Screw	4 pcs
H		Screw	14 pcs

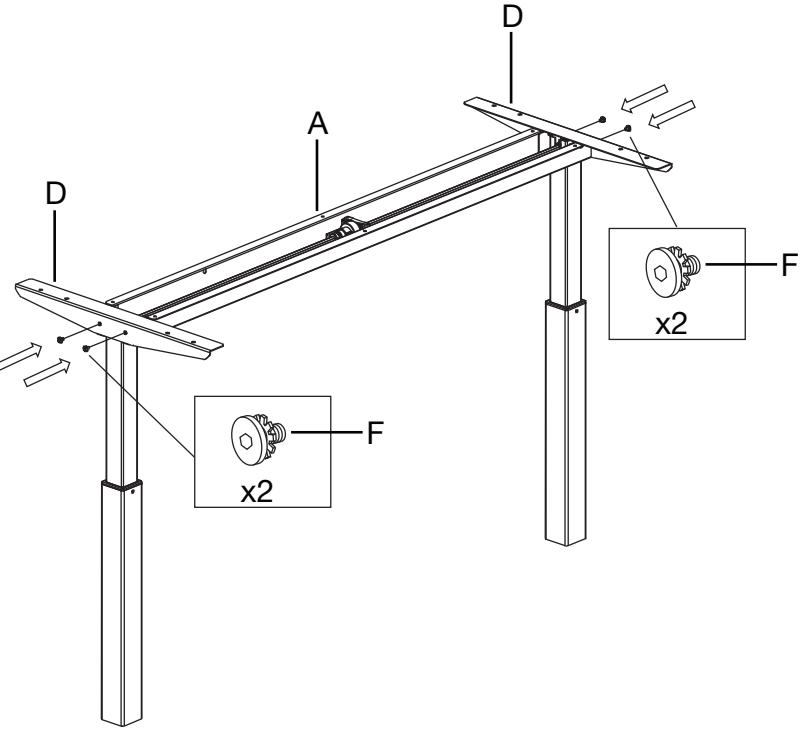
No.	Drawing	Description	Qty.
I		Bolt	8 pcs
J		Leveler	4 pcs
K		Caster	4 pcs

### STEP 1



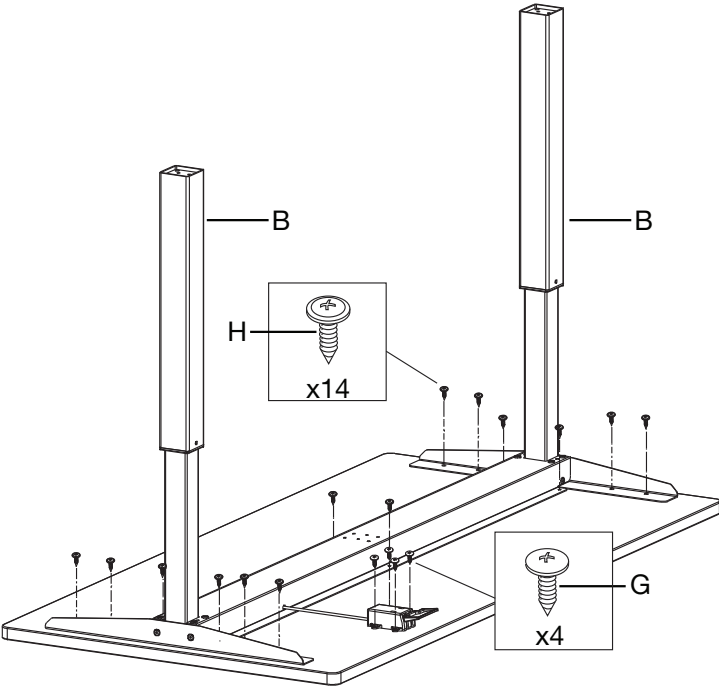
Tool: 4mm Allen wrench (not provided)

### STEP 2



Tool: 4mm Allen wrench (not provided)

### STEP 3



Tool: Phillips screwdriver (not provided)